

TAMRON®

Robert-Bosch-Str. 9

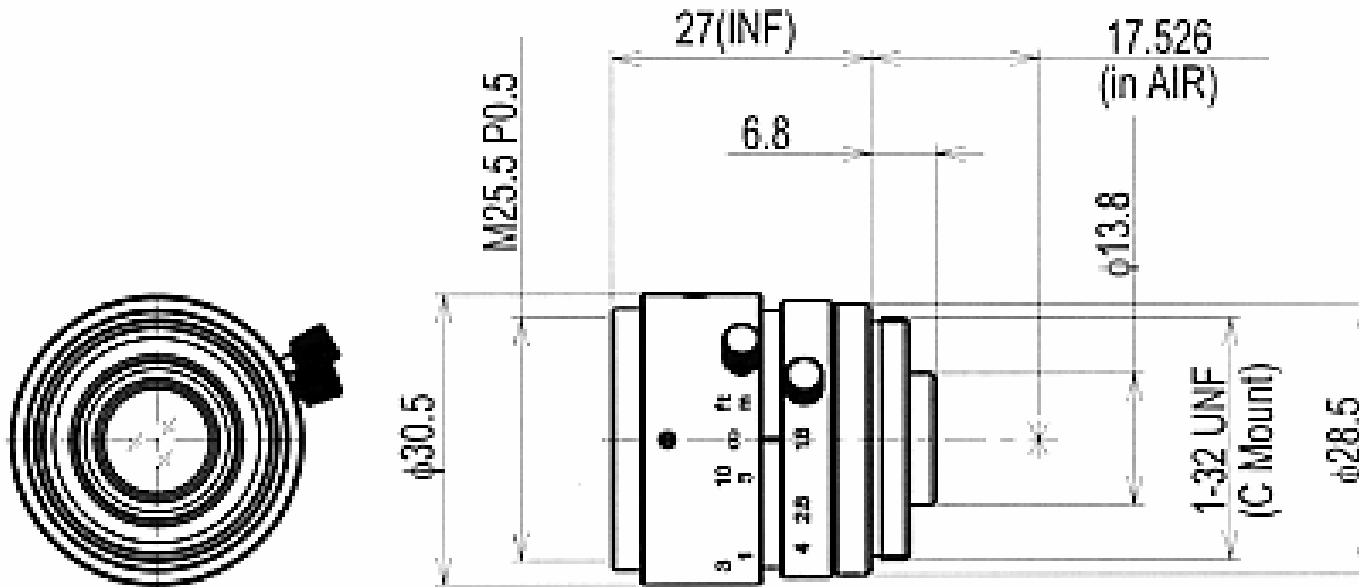
50769 Köln

Tel. 0221/970325-0

Fax 0221/970325-4

Email cctv@tamron.de

www.tamron.de



25HB w/ Lock (2/3" 12mm F/1,8 C-Mount)

