

HAMAMATSU

DATA SHEET

High frame rate Digital Camera C9300-201 (640 × 480)

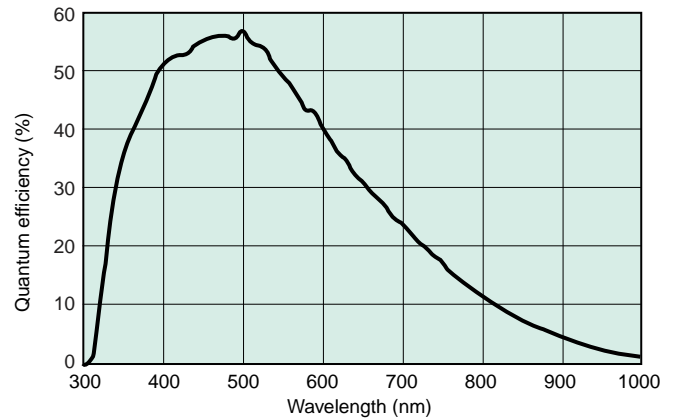


The C9300-201 is the digital camera which realized improvement in the speed, having the low noise characteristics of the conventional digital CCD camera. The high frame rate output which adopts progressive-scan interline CCD, and exceeds 5 times of TV rate in a VGA format (640 × 480 pixels) is possible. Moreover, the further high-speed read-out is possible by using binning and sub-array function.

APPLICATIONS

- Continuous imaging of high-speed moving objects
- Kinetic changes in light intensity
- Faint light observation under a microscope

SPECTRAL RESPONSE CHARACTERISTIC



★ This is typical, not guaranteed

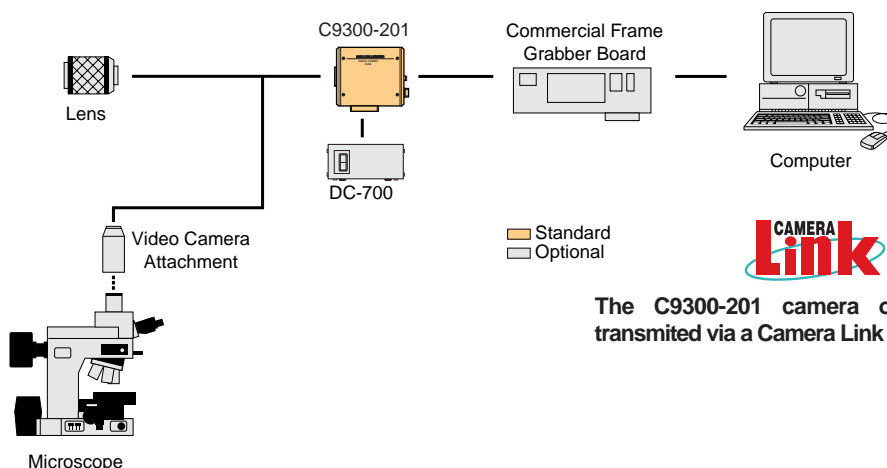
FEATURES

- High-speed readout
 - 150 frame/s (1 × 1 binning, dual readout)
 - 694 frame/s (8 × 8 binning, dual readout)
- Low read-out noise
 - 20 electrons
- 12 bit output

OPTIONAL

- DC-700: Power supply unit
 - Line voltage: 100 V AC to 240 V AC input
 - Output voltage: DC +12 V
- A3194-01: Power cable

SYSTEM CONFIGURATION



The C9300-201 camera outputs data is transmitted via a Camera Link interface.

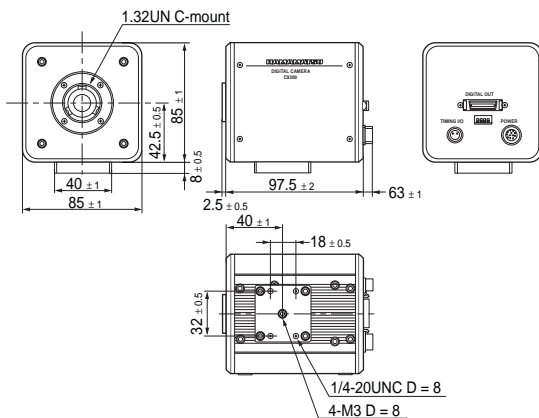
SPECIFICATIONS

Type number	C9300-201		
Camera head type	Passive air-cooled head		
Imaging device	Progressive interline transfer CCD		
Effective no. of pixels	640 (H) × 480 (V)		
Cell size	7.4 μm (H) × 7.4 μm (V)		
Effective area	4.74 mm (H) × 3.55 mm (V)		
Pixel clock rate	30 MHz/pixel		
Frame rate**	binning	1 × 1	Single readout : 82 frame/s, Dual readout : 150.6 frame/s
		2 × 2	Single readout : 155.5 frame/s, Dual readout : 274.2 frame/s
		4 × 4	Single readout : 280.7 frame/s, Dual readout : 461.7 frame/s
		8 × 8	Single readout : 465.0 frame/s, Dual readout : 694.2 frame/s
Readout noise(r.m.s.) typ.	20 electrons		
Full well capacity typ.	20000 electrons		
Dynamic range* typ.	1000 : 1		
Dark current typ.	2 electrons/pixel/s		
A/D converter	12 bit		
Output signal / External control	Camera Link		
Exposure time	33 μs to 1 s		
Sub-array	A setup in an eight-line unit (vertical, perpendicular) is possible in size and a position.		
External trigger	Yes		
Contrast enhancement	1 to 5 times(16 step)		
Lens mount	C-mount		
Power requirements	DC +12 V		
Power consumption	approx. 5 V·A		
Ambient storage temperature	- 10 °C to + 50 °C		
Ambient operating temperature	0 °C to + 40 °C		
Ambient operating/storage humidity	70 % max. (with no condensation)		

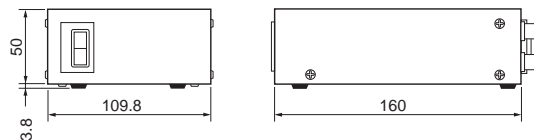
*Calculated from the ratio of the full well capacity and the readout noise

DIMENSIONAL OUTLINES (Unit: mm)

● C9300-210 (approx. 1.2 kg)



● DC-700 (approx. 0.7 kg) - Optional -



★ Product and software package names noted in this documentation are trademarks or registered trademarks of their respective manufacturers.

- Subject to local technical requirements and regulations, availability of products included in this promotional material may vary. Please consult with our sales office.
- Information furnished by HAMAMATSU is believed to be reliable. However, no responsibility is assumed for possible inaccuracies or omissions. Specifications and external appearance are subject to change without notice.

© 2005 Hamamatsu Photonics K.K.



HAMAMATSU

Homepage Address <http://www.hamamatsu.com>

HAMAMATSU PHOTONICS K.K., Systems Division
812 Joko-cho, Hamamatsu City, 431-3196, Japan, Telephone: (81)53-431-0124, Fax: (81)53-435-1574, E-mail: export@sys.hpk.co.jp

U.S.A. and Canada: Hamamatsu Photonic Systems: 360 Foothill Road, Bridgewater, N.J. 08807-0910, U.S.A., Telephone: (1)908-231-1116, Fax: (1)908-231-0852, E-mail: usa@hamamatsu.com

Germany: Hamamatsu Photonics Deutschland GmbH: Arzbergerstr. 10, D-82211 Herrsching am Ammersee, Germany, Telephone: (49)8152-375-0, Fax: (49)8152-2658, E-mail: info@hamamatsu.de

France: Hamamatsu Photonics France S.A.R.L.: 8, Rue du Saule Trapu, Parc du Moulin de Massy, 91882 Massy Cedex, France, Telephone: (33)1 69 53 71 00, Fax: (33)1 69 53 71 10, E-mail: infos@hamamatsu.fr

United Kingdom: Hamamatsu Photonics UK Limited: 2 Howard Court, 10 Tewin Road, Welwyn Garden City, Hertfordshire, AL7 1BW, U.K., Telephone: (44) 1707-294888, Fax: (44) 1707-325777, E-mail: info@hamamatsu.co.uk

North Europe: Hamamatsu Photonics Norden AB: Smidesvägen 12, SE-171-41 Solna, Sweden, Telephone: (46)8-509-031-00, Fax: (46)8-509-031-01, E-mail: info@hamamatsu.se

Italy: Hamamatsu Photonics Italia S.R.L.: Strada della Mois, 1/E 20020 Arese (Milano), Italy, Telephone: (39)02-935 81 733, Fax: (39)02-935 81 741, E-mail: info@hamamatsu.it

Cat. No. SICS1133E01
APR/2005 HPK
Created in Japan (PDF)