

HG2Z0414FC-MP

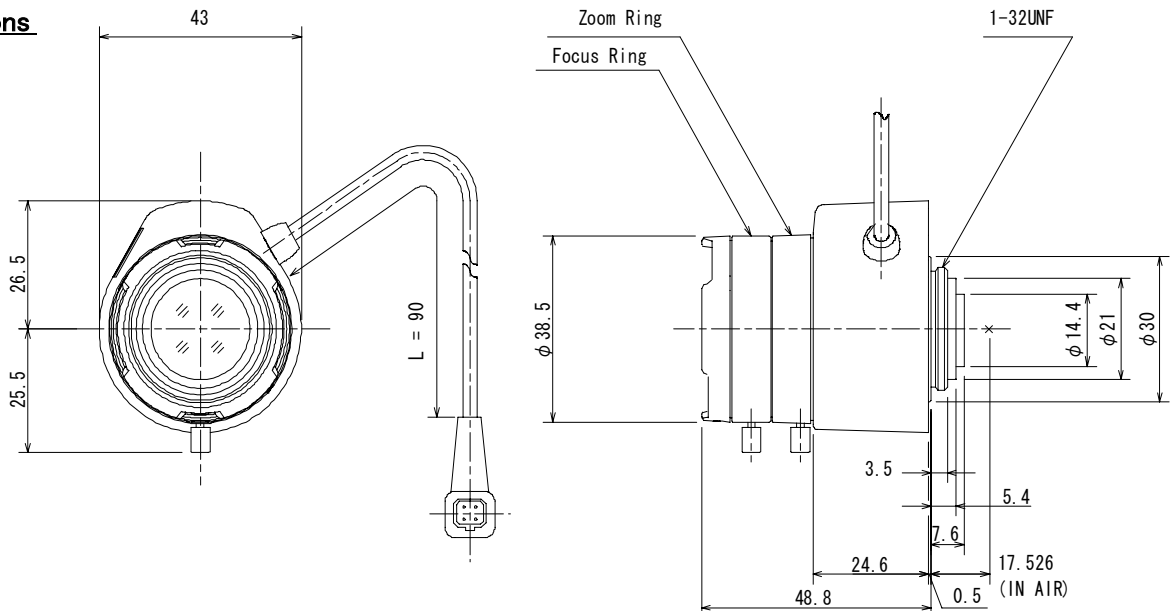
2X 4-8mm F1.4

for 1/2 type Megapixel cameras, Vari-focal Auto Iris DC Drive

C-Mount

Model No.		HG2Z0414FC-MP		Effective	Front	φ 22.2mm	
Focal Length		4mm ~ 8mm		Lens Aperture	Rear	φ 10.7mm	
Max. Aperture Ratio		1 : 1.4		Back Focal Length	Tele	16.4mm	
Max. Image Format		6.4mm x 4.8mm (φ 8mm)			Wide	11.0mm	
Operation Range	Iris	F1.4 ~ F360		Flange Back Length		17.526mm	
	Focus	0.5m ~ Inf.		Mount		C-Mount	
	Zoom	4mm ~ 8mm		Filter Size		-	
Control	Iris	DC Auto Iris		Dimensions		φ 38.5mm x 48mm x 48.8mm	
	Focus	Manual		Weight		75g	
	Zoom	Manual					
Angle of View	D	1/2 type	115.9° ~ 58.8°	1/3 type	84.5° ~ 44.1°	1/4 type	62.7° ~ 33.1°
	H		90.4° ~ 47.0°		67.0° ~ 35.3°		50.0° ~ 26.5°
	V		67.0° ~ 35.3°		50.0° ~ 26.5°		37.4° ~ 19.8°
Coil	Drive	190 Ω					
	Control	855 Ω					
Operating Temperature		-10°C - +50°C					

Dimensions



Wiring Diagram

